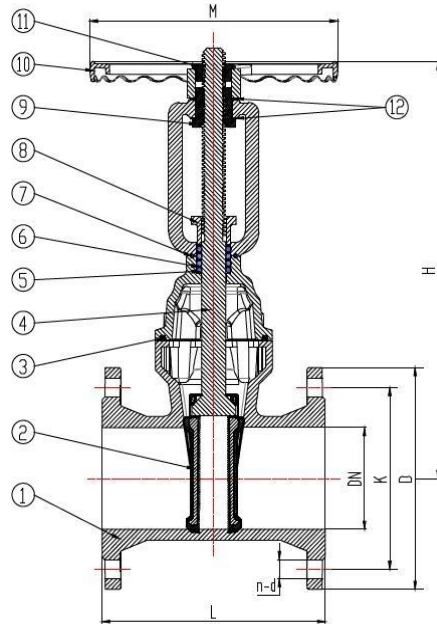


RESILIENT SEATED GATE VALVE. PN 10/16 - RISING STEM OS&Y



Specifications

Size	DN40-1000
Design	EN1171, EN1074-2
Face to Face	EN558-1
End Flange	EN1092-2
Tests	EN12266
Working Temp.	0~80°C
Nominal Pressure	PN10 - PN16
Coating	Fusion Bond Epoxy

Material List

Item	Part Name	Material	Item	Part Name	Material
1	Body	Ductile Iron	7	O-Ring	NBR
2	Disc	Ductile Iron + EPDM	8	Gland	Ductile Iron
3	Bonnet Gasket	NBR	9	Lower Stem Nut	Brass
4	Stem	X20Cr13 / SS420	10	Handwheel	Ductile Iron
5	Oring	NBR	11	Upper Stem Nut	Brass
6	Sealing Washer	POM	12	Anti Friction Pad	Ss304

DIMENSIONS

DN	OUTLINE mm					END FLANGE PN10/16-CL125/150 mm								
	BS 5163	DIN -F4	DIN -F5	M	H	EN1092-2			ASMEB16.1/B16.42			AS4087		
	L		D			K	n-d	D	K	n-d	D	K	n-d	
40	165	140	240	φ200	315	150	110	4 x φ19	127	98.5	4 x φ16	-	-	-
50	178	150	250	φ200	320	165	125	4 x φ19	152	120.5	4 x φ19	-	-	-
65	190	170	270	φ200	325	185	145	4 x φ19	178	139.5	4 x φ19	-	-	-
80	203	180	280	φ200	355	200	160	8 x φ19	191	152.5	4 x φ19	185	146	4 x φ18
100	229	190	300	φ254	425	220	180	8 x φ19	229	190.5	8 x φ19	215	178	4 x φ18
125	254	200	325	φ315	490	250	210	8 x φ19	254	216	8 x φ22	-	-	-
150	267	210	350	φ315	550	285	240	8 x φ23	279	241.5	8 x φ22	280	235	8 x φ19
200	292	230	400	φ315	670	340	295	8 x φ23 / 12 x φ23	343	298.5	8 x φ22	335	292	8 x φ18
250	330	250	450	φ406	845	395/405	350/355	12 x φ23 / 12 x φ28	406	362	12 x φ25	405	356	8 x φ22
300	356	270	500	φ406	1100	445/460	400/410	12 x φ23 / 12 x φ28	483	432	12 x φ25	455	406	12 x φ22